

4

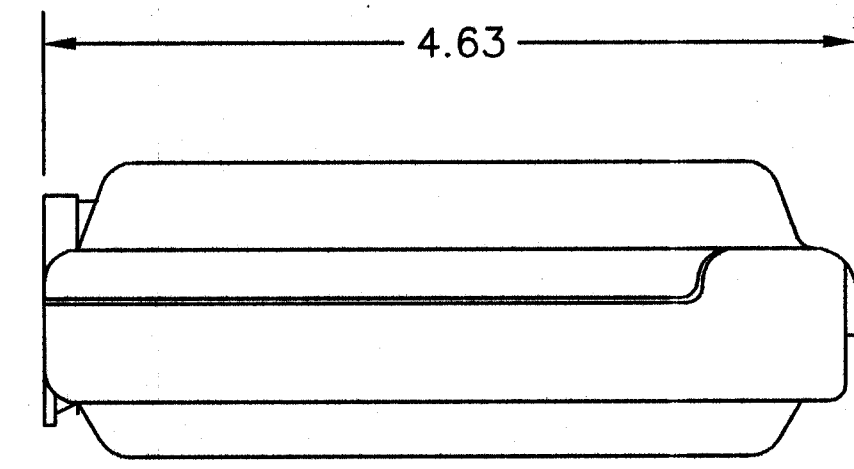
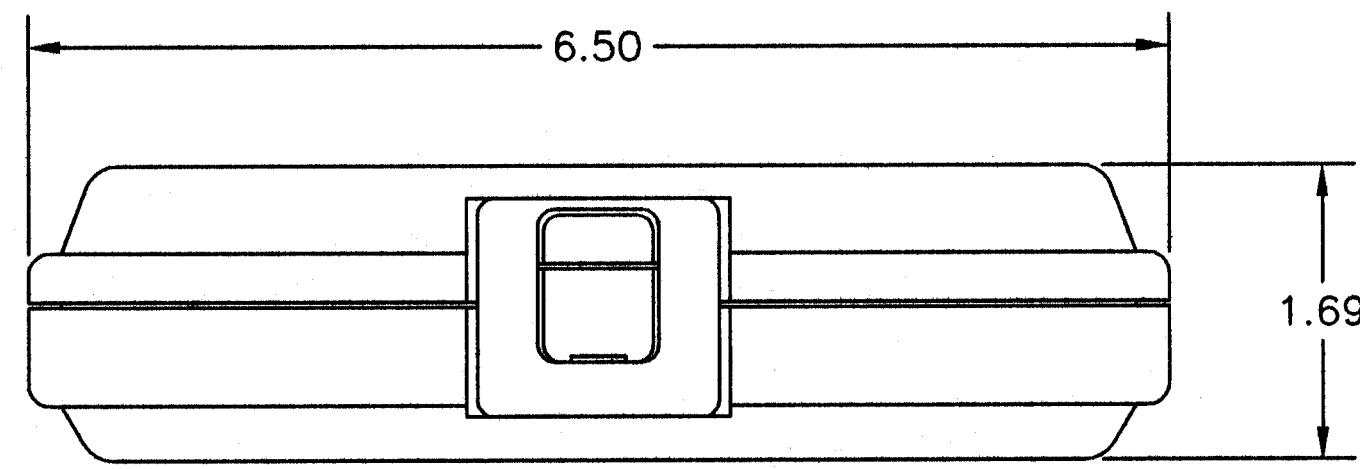
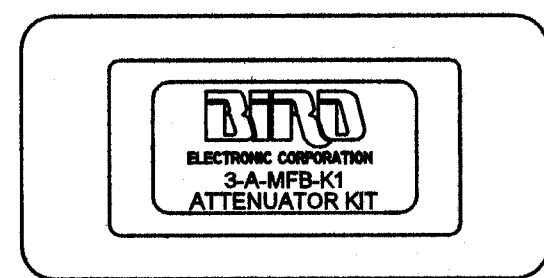
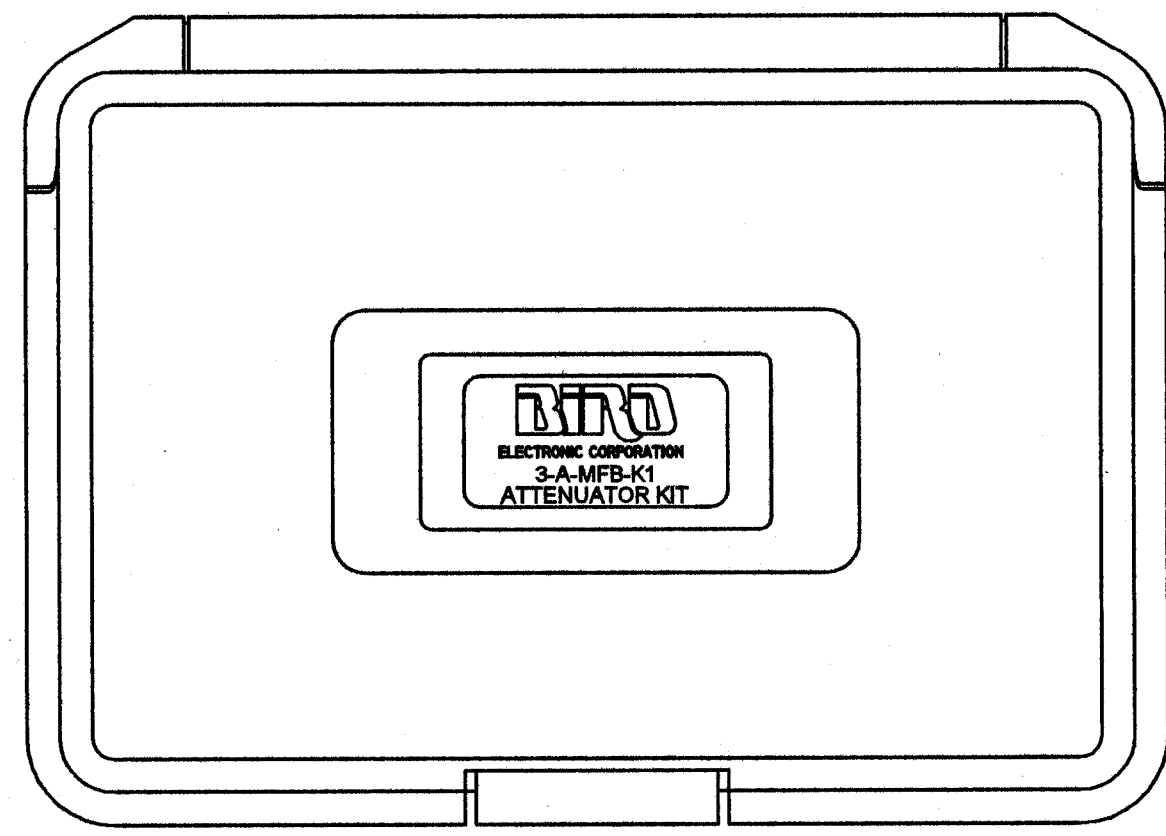
3

2


1

NOTES:
 ATTENUATOR FREQUENCY RANGE: DC TO 4 GHz
 ATTENUATOR VSWR AND ATTENUATION ACCURACY: REFER TO THE INDIVIDUAL ATTENUATOR SPECIFICATION SHEETS.
 CASE: BLOW-MOLDED PLASTIC CASE WITH LATCH AND DIE-CUT FOAM INSERT.
 CASE DIMENSIONS: 6.50"W x 1.69"H x 4.63"D
 WEIGHT: APPROX. 8 OZ.

REVISIONS		DWG. NO.	3-A-MFB-K1	SHEET	REV
ZONE	REV	DESCRIPTION	DATE	APPROVED	
	A	CONVERT TO BEC FORMAT	DMR 5-30-03	<i>MARV</i>	



1		3-A-MFB-20	BNC ATTN., 50-OHM, 3W, 20dB
1		3-A-MFB-10	BNC ATTN., 50-OHM, 3W, 10dB
1		3-A-MFB-06	BNC ATTN., 50-OHM, 3W, 6dB
1		3-A-MFB-03	BNC ATTN., 50-OHM, 3W, 3dB
1		MH0099	FOAM INSERT SET
1		MH0098	CASE, PLASTIC
QTY. REQ.	ITEM NO.	PART NO.	DESCRIPTION
PARTS LIST			

UNLESS OTHERWISE SPECIFIED DIMENSIONS ARE IN INCHES TOLERANCES ARE: FRACTIONS DECIMALS ANGLES ± 1/64 .XX= ±.010 ± 30° XXX= ±.005 ± 30°	MILLIMETERS .X= ±.4 .XX= ±.12	THIS DRAWING IS THE PROPERTY OF THE BIRD ELECTRONIC CORPORATION. THE DESIGNS AND SPECIFICATIONS DISCLOSED HEREON ARE PROPRIETARY AND SHALL NOT BE REPRODUCED, NOR COPIED, NOR USED AS THE BASIS FOR THE MANUFACTURE OR SALE OF APPARATUS OR DEVICES WITHOUT THEIR EXPRESS WRITTEN CONSENT.		 BIRD Electronic Corporation Cleveland (Solon) Ohio USA
		DO NOT SCALE DRAWING		
MATERIAL	APPROVALS	DATE	TITLE	
	D.M.RINK	5-30-03	BNC ATTENUATOR KIT	
FINISH	CHECKED		SIZE	FSCM NO.
	APPROVED <i>MARV</i>	6-15-03	C	70998
		AUTOCAD	SCALE	1:1
			COMM CODE	AT1
			DWG. NO.	3-A-MFB-K1
			REV	A
			SHEET	1 OF 1

4

3

2

1